

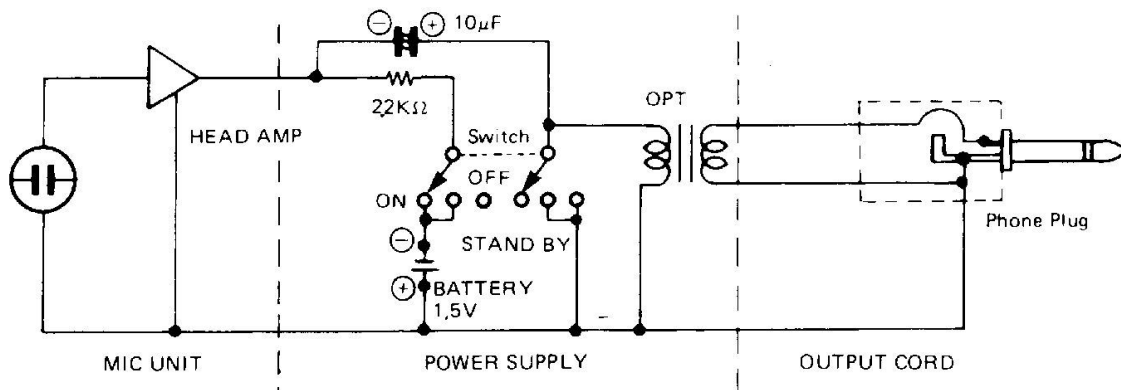


The Realistic Pressure Zone Microphone has been discontinued, and there is no longer an online Tandy/Radio Shack technical information source for that product.

The following data are taken from the original published technical specifications.

Frequency Response	20 Hz – 18 kHz
Impedance	600 Ω
Sensitivity	-74 dBV @ 1 kHz
Polar Pattern	Hemispherical (i.e. Omnidirectional, half-space)
Battery	1.5V AA
Battery Life	2,000 hours
Cable	5m x 3.5mm & 0.6m x 4.0mm
Output Connector	¼" mono jack <sup>1</sup>
Weight	420g

### SCHEMATIC DIAGRAM



1. On our own PZMs we have replaced the original (unbranded) ¼" jack plug with a balanced (Neutrik) Male XLR connector, and modified the circuit to use 48V phantom power instead of a 1.5V AA battery. The output of the modified unit is balanced.